

Manual for the EF-508 Correct View finder

Part Names

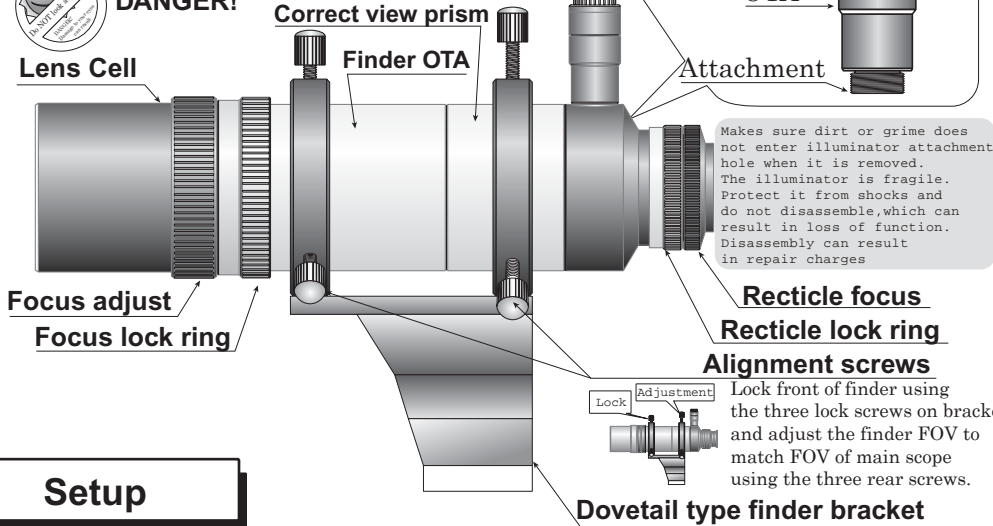
Using the illuminator
If LED does not light up
when dial is turned, please
change the batteries. Use
two LR41 batteries

Do not remove prism from finder!
Grime entry and collimations
errors can result

**Do NOT point toward
the sun. Damage to
your eyes can result**



LED Illuminator

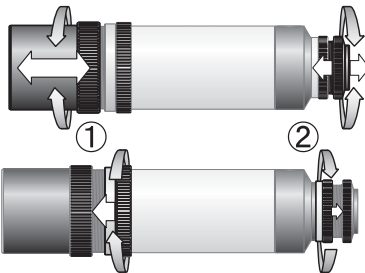


Setup

① Focus finder.

Find a distant object in FOV, rotate objective lens until object comes to focus. Rotate lock ring to lock focus position

Focus on objects of at least 2km distance (or, preferably, a star)

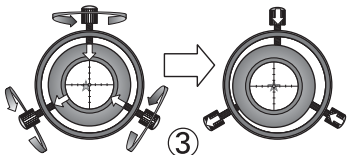


② Focusing the reticle.

Rotate Retical focus ring until reticle image is sharp. Rotate lock ring to lock focus position when reticle is sharply imaged.

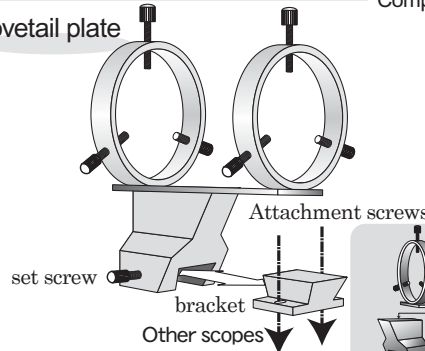
③ Aligning to your telescope.

Center a star in your main telescope and adjust the three alignment screws to center same star in the finder's crosshair



System configuration

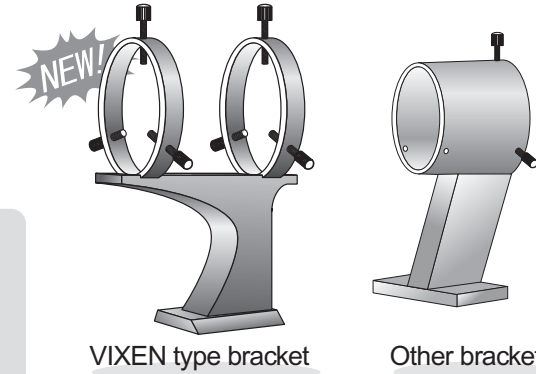
dovetail plate



Attach with two flat head screws.
Be sure that bracket fits perpendicular to main telescope axis
Be sure that attachment bolt heads does not protrude above plate

Standard dovetail plate
SYNTA telescopes
VIXEN type finder mount
Compatible finder brackets

Compatible with SCT finder attachment holes. Nexstar OK as well
Adaptable to all model Synta telescopes.
Adaptable to all model Vixen and Synta telescopes.
Can use in place of Losmandy, Vixen, TAK and Televue 50mm finders



Use only caps screws with head width under 8mm diameter, and under 4mm length to secure finder bracket foot to telescope. Using the screws that came with the telescope are preferable. The screw head must not protrude above level of flat part of the foot.

Specifications

System specs subject to change without notice. Proper attachment is the responsibility of the user. The EF-508 is a precision instrument. Protect it from grime, dust, dampness, heat etc to insure long lasting performance

Objective lens multicoated
Effective aperture ϕ 48mm
Correct view prism Pechan prism
Eyepiece lens Multicoated Kelner
Eye relief 18mm, with rubber eyeguard
magnification and FOV 8X, actual FOV 7° , apparent FOV 56°
Focuser rotating helicoid focus
Reticle illumination LED red light illuminator

Lens cell, tube OD Lens cell ϕ 60mm/ tube 55mm
OTA/ bracket weight OTA 520g / bracket 320g
illuminator OD ϕ 12mm, length 35mm (when in use)
Illuminator power LR41 alkaline button battery x 2
Standard finder bracket
Bracket dimension width 60 x depth 36 x height 23mm (horizontal)
Attachment screws M5 machine head screws recommended, on 28 to 41mm centers
Attachment foot hole size ϕ 5.3mm / head size ϕ 8.5mm, bevel 4.4mm

Usage warnings

Thank you for your purchase of EF-508. Please contact us with any questions regarding use. We also carry many additional products and look forward to hearing from you. Thank you for choosing Kokusai Kohki with your finder purchase.

- Never point at the sun or other very bright light sources. Doing so can result in loss of eyesight or fire damage, etc. When observing the sun, be sure to use AstroSolar solar filters also available from Kokusai Kohki to insure always safe observation.
- Do not disassemble or otherwise tamper with this finder.

Repair of any resulting damage will incur repair fees.

- Grime and dirt on the objective or eyepiece lens should be cleaned off with a blower or lens cleaner. Do not disassemble lenses when cleaning.
- Clean the finder by wiping it lightly with a soft cloth. Using cleaners may result in damage to the finder so refrain from using them.
- Be sure that all screws and lock rings etc are firmly locked in place during use.



Kokusai Kohki (KK Magellan)

Ouno Cho 7-7, Kamikatsura, Nishikyo Ku, Kyoto 615-8215 JAPAN
TEL: +81-75-394-2625 FAX: +81-75-394-2612 Email: magellan@kkohki.com